

Drawing lines and angles accurately

1 Draw each of the angles accurately.
Use the line provided as part of your angle.

a) 60 degrees



b) 85°



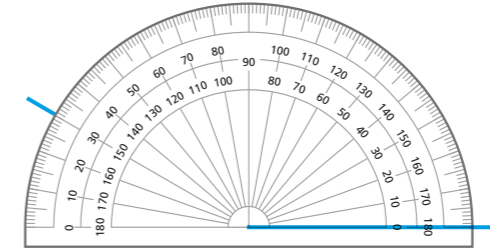
c) 110°



d) 143°

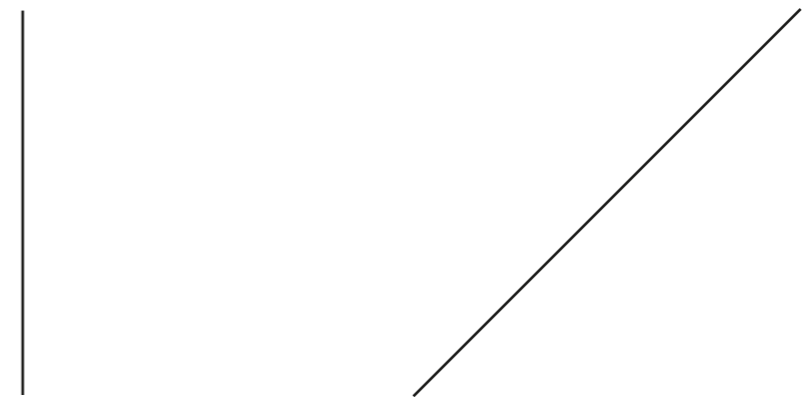


2 Dexter is asked to draw an angle of 30 degrees.
He marks a point as shown.



What mistake has Dexter made?

3 Draw an angle of 100° on each line.
Use the lines to form part of the angle.

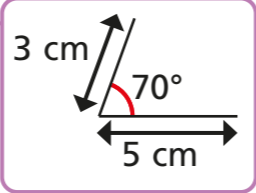


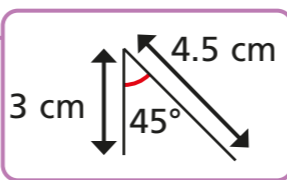


- 4 Draw three angles that all measure 55° .
Each angle should be in a different orientation.



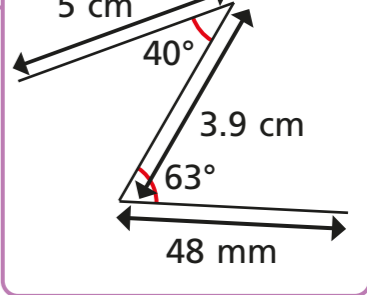
- 5 Draw these lines and angles accurately using a ruler and protractor.

a) 

b) 

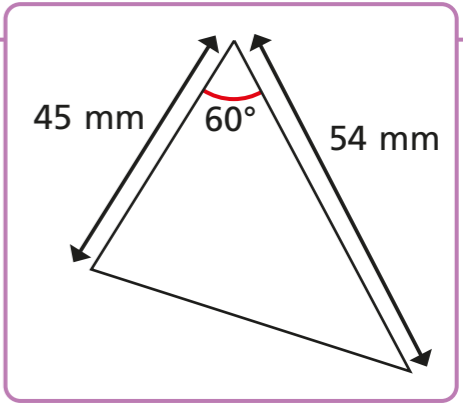


- 6 Make an accurate drawing of the shape.





- 7 Draw the triangle accurately and work out its perimeter.



perimeter = mm

